



Headlines

IPCC: ongeëve
klimaatver
NOS NIEUWS • ECONOMIE • DINSDAG, 19:46

Sluiting kolence
van megavervui
klimaatteffect be



CO
cor

**CO2-UITSLAAG
KLIMAAT**
2 NOVEMBER 2021

Door de op... de aarde smelten er steeds meer ijskappen REUTERS



CO2-belast
27 no

VOOR

...ssa neemt
klimaatdoelen te halen

or nearly 3,000
on climate

Klimaatop in Glasgow: Akkoord voor meer schone vrachtwagens

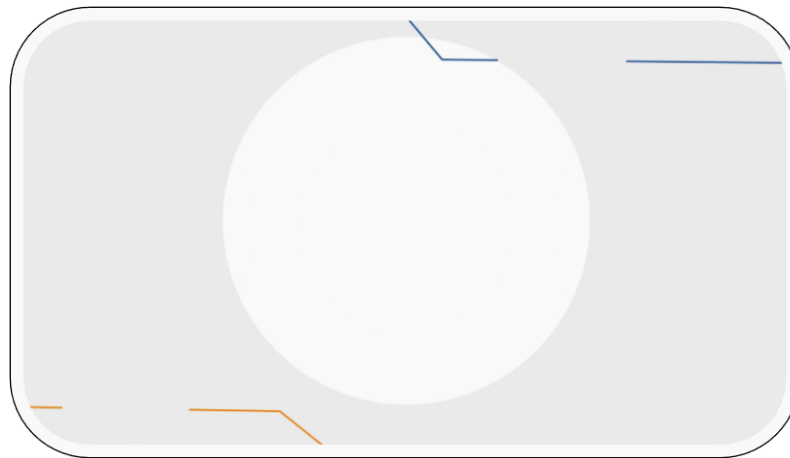
Nieuwsbericht | 10-11-2021 | 01:00

Rethink | The New Industrial Revolution



Fieldlab Industrial Electrification

We unite ambitious players from all over the world to create a new, cleaner process industry, helping to realize the potential of the energy transition in Rotterdam. Join us!



Scaling up innovation



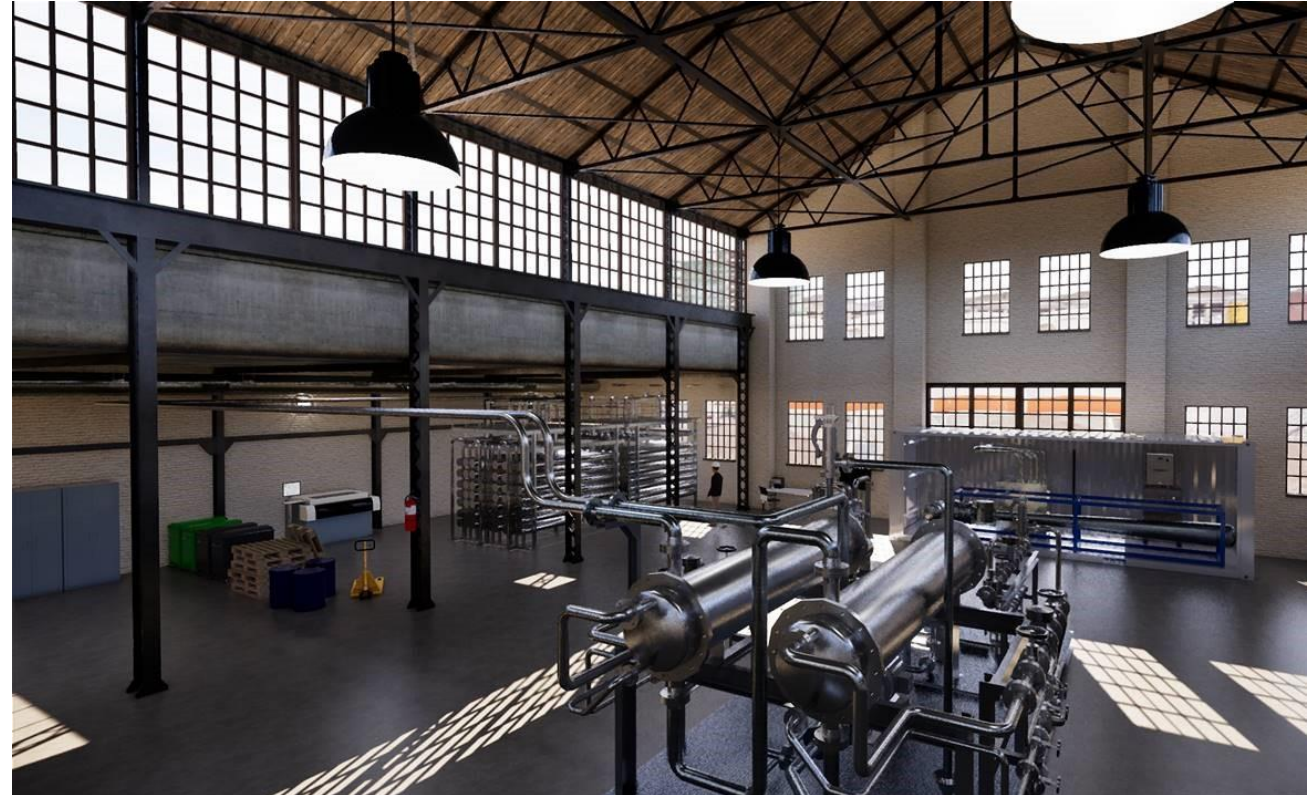
Major step from pilot to industrial application, chain and system integration



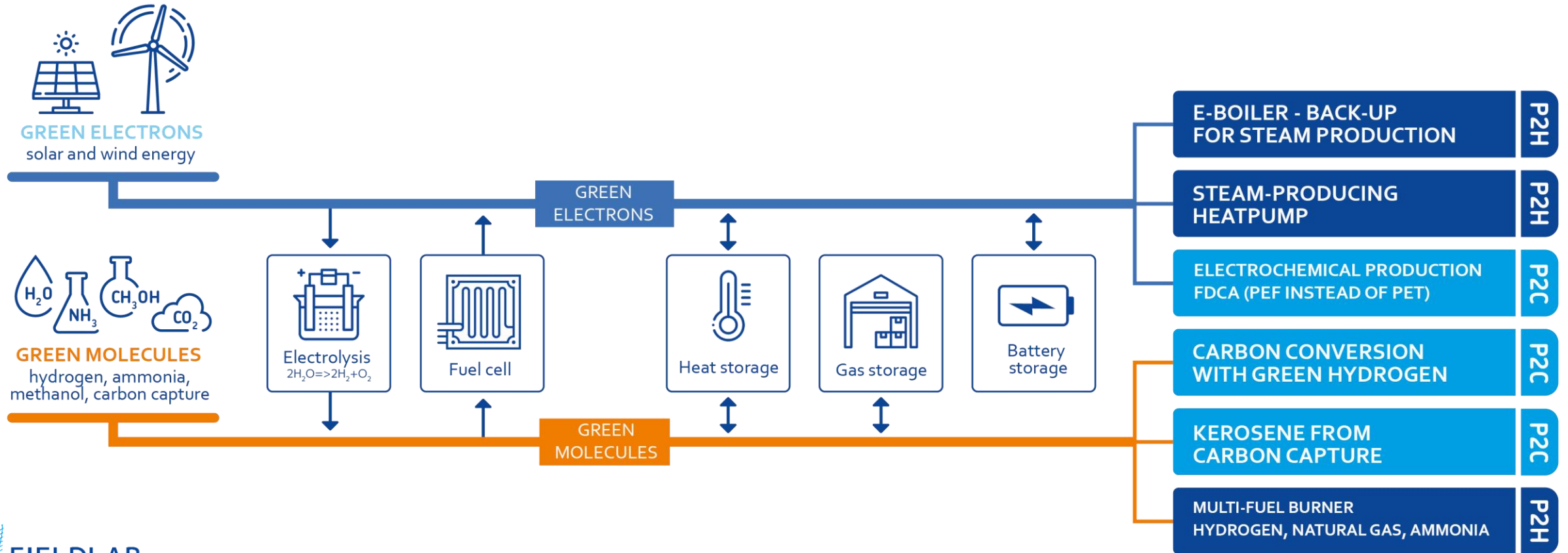
Intended Partners FLIE

Organizations interested in making the process industry more sustainable:

- ⚡ End users who want to (partially) electrify their processes
- ⚡ Energy companies that want to test new services
- ⚡ Technology companies that want to demonstrate their innovation in practice or otherwise
- ⚡ Network administrators



Concrete Electrification Solutions & Projects

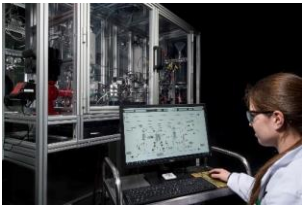


Fieldlab Industrial Electrification

Solution Center



Pilot – and test location



Demo location



Feasibility studies (technical, economic, markets, clusters)

Financing / subsidy support

Accelerate legislation & regulations issues

Building a network & community

Technology Advice and Market Research

Workshops, training and education

Fixed location test, experiment and pilot projects, TRL4-6

Demo location for new technologies

Testing and knowledge exchange in a relevant setting

Demonstration projects on a relevant scale (TRL 6 to 8)

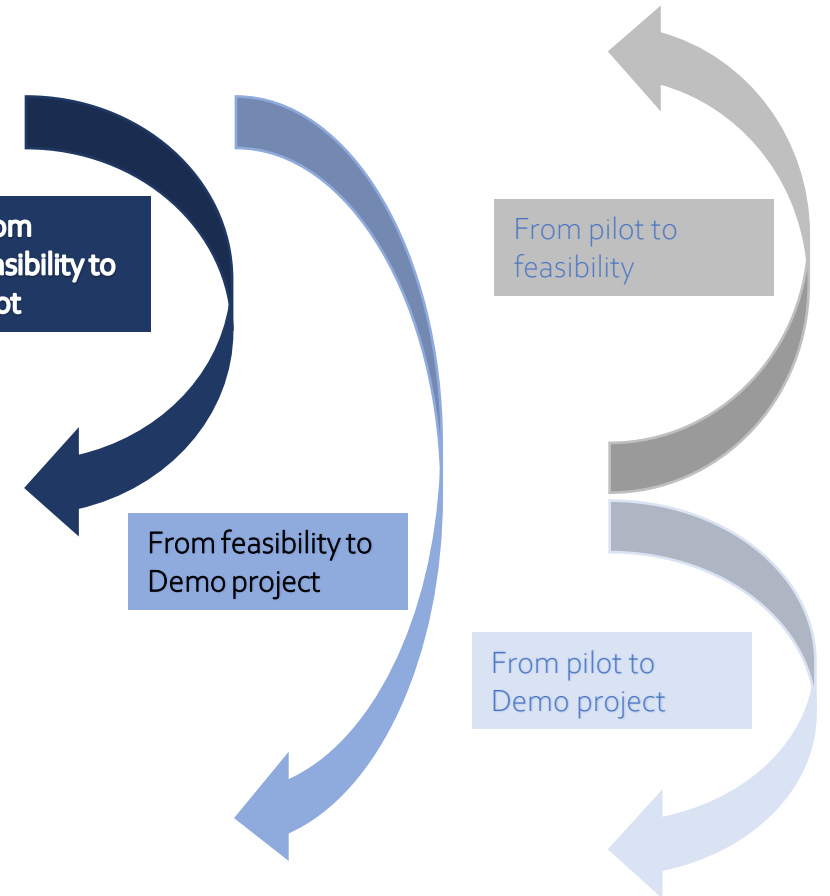
Knowledge exchange on risk mitigation, implementation, laws and regulations

From feasibility to pilot

From feasibility to Demo project

From pilot to feasibility

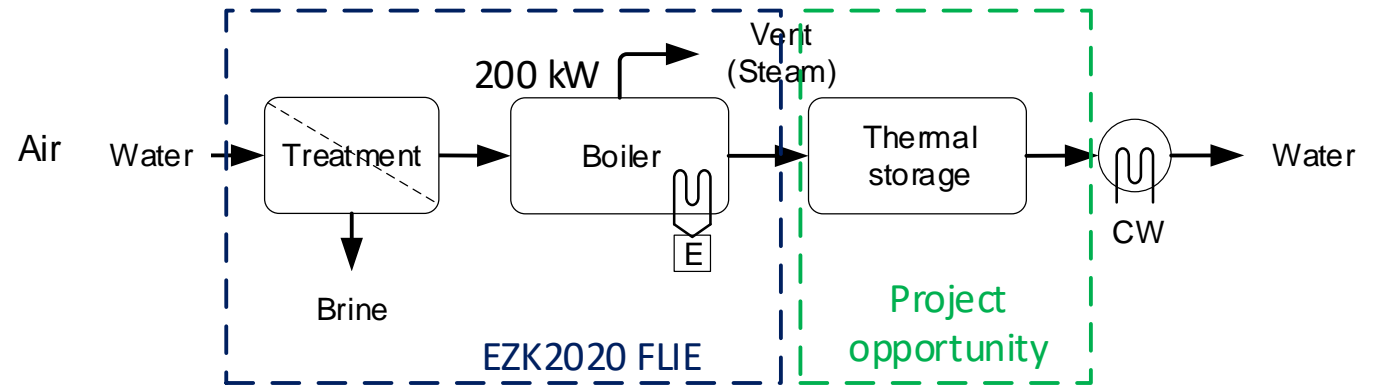
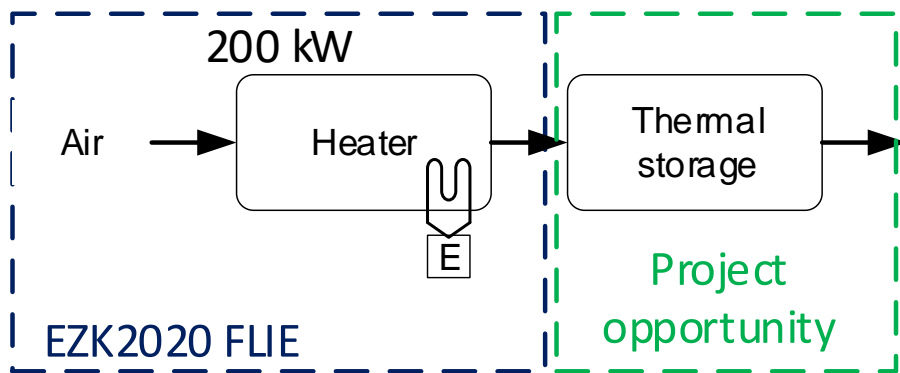
From pilot to Demo project





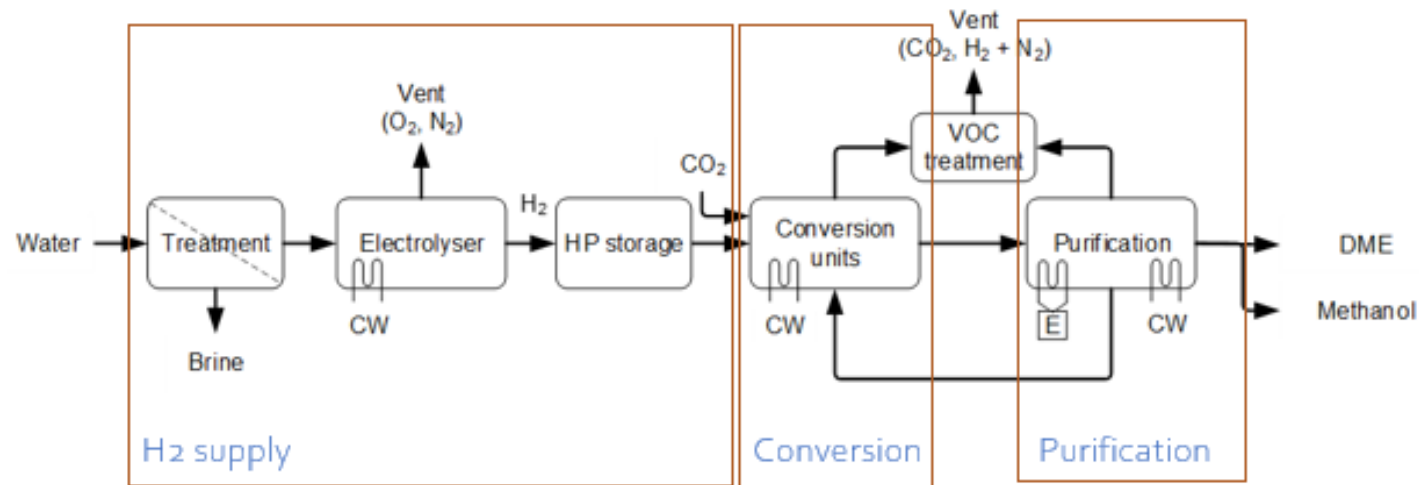
Central Hub Location; 3 test lines

⚡ Power-2-Heat line

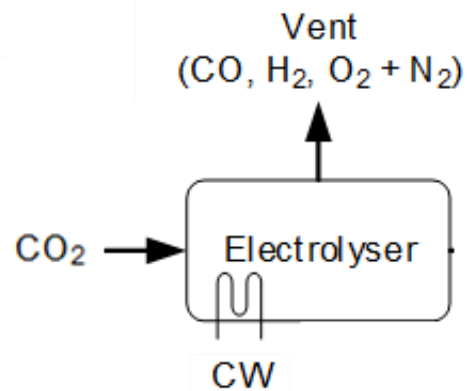


Central Hub Location; 3 test lines

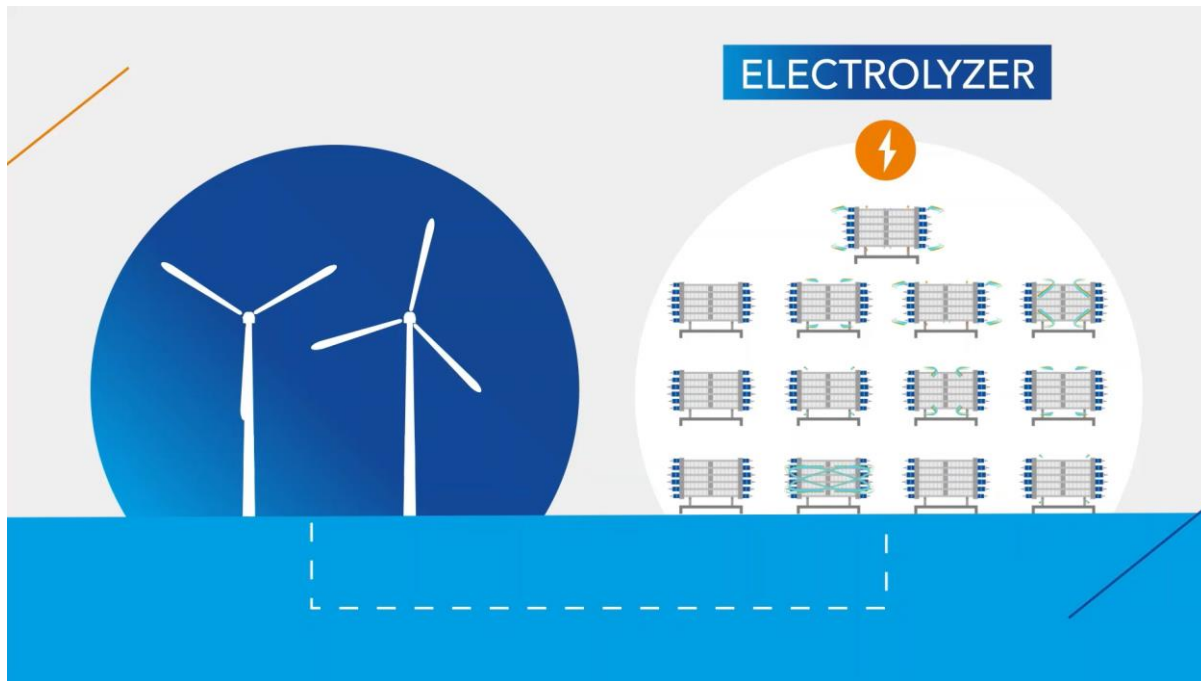
⚡ *Indirect conversion of CO₂*



⚡ *Electrolyzer*



Testing the technology of the future in a safe environment



- ⚡ Backup e-boiler
- ⚡ Multi-fuel burner
- ⚡ Industrial heat pump integration
- ⚡ Methanol and DME
- ⚡ Green hydrogen & CO₂/CO
- ⚡ Integration of water electrolysis
- ⚡ Synthetic fuel implementation barrier
- ⚡ High Temperature Electric Heating
- ⚡ Production, import & export of hydrogen carriers

Collaborate with the Fieldlab?

⚡ Contact us: info@flie.nl

⚡ Join us and let us work together

⚡ Visit our website: www.flie.nl

Program

- ⚡ 11:10 - 11:25 - Introduction Case Ducor | Rens van Leuken
- ⚡ 11:25 - Start pitches
 - Pitch 1 René Waggeveld | BlueTerra
 - Pitch 2 Jakob Haverkamp | Haverkamp Consultancy (via Zoom)
 - Pitch 3 Marit van Lieshout & Amar Nikam | RHDHV & SPIE
 - Pitch 4 Ertan Torun | IBK
- ⚡ 12:00 - 12:15 - Industry policy and Innovation | Robert Geurts
- ⚡ 12:15 - 12:30 - Table talk with Ducor & Pitchers, winning pitch
- ⚡ 12:30 - 12:35 - Closing | Josepha van Kollenburg